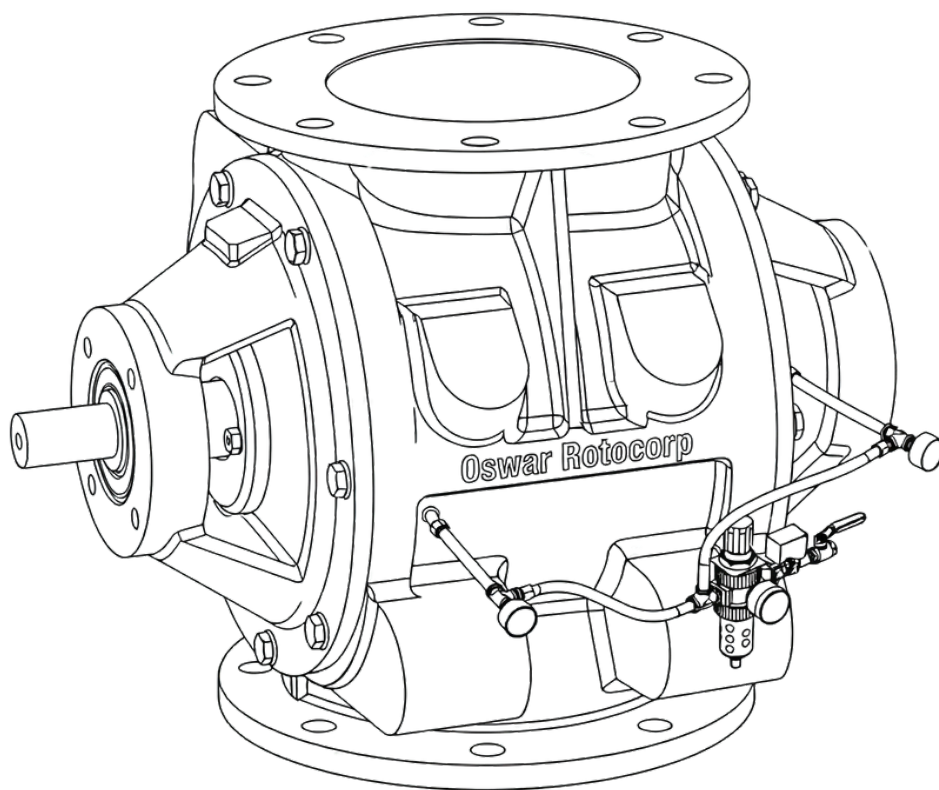
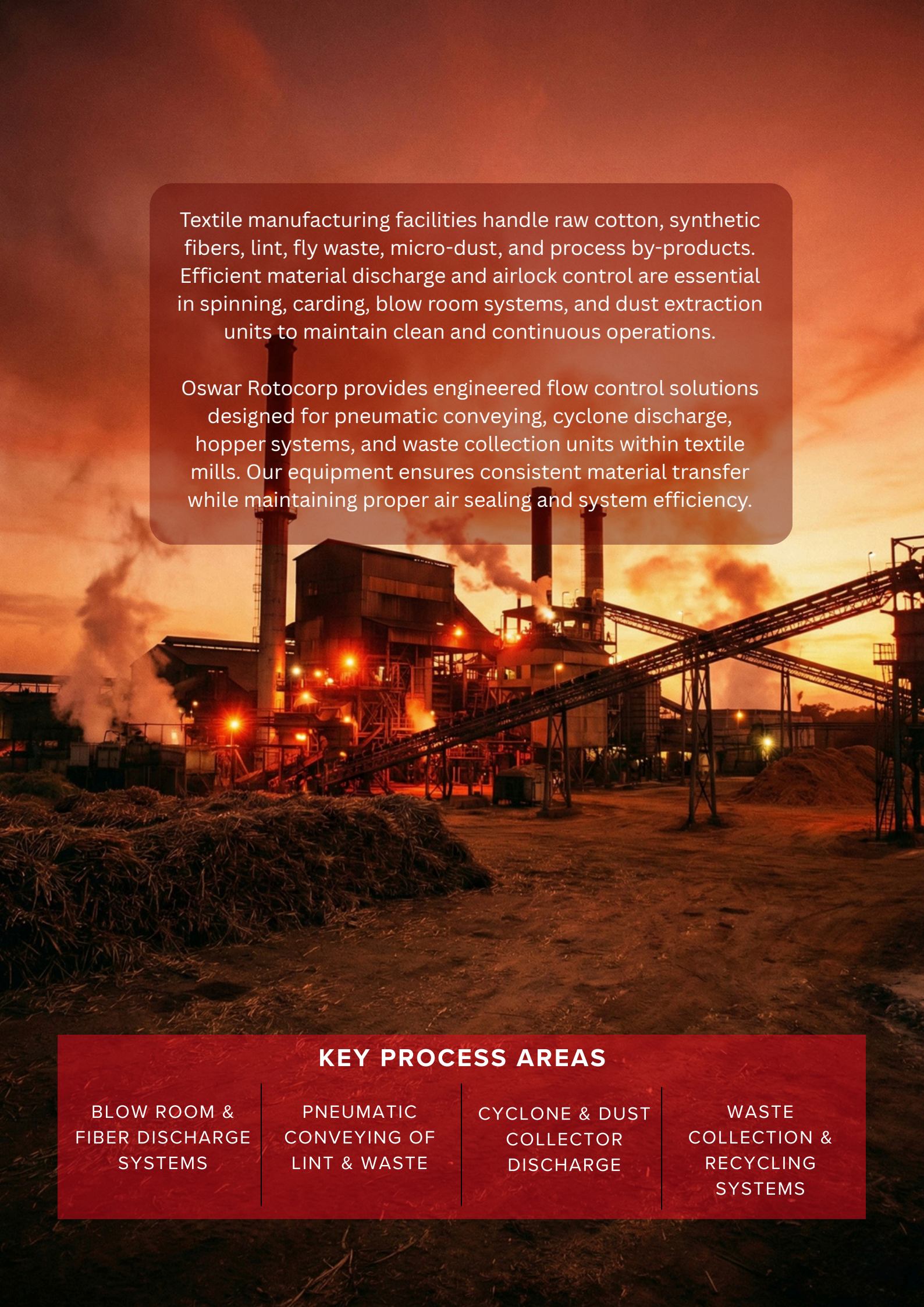


TEXTILE INDUSTRY

FIBER & MATERIAL HANDLING SYSTEMS



OSWAR
rotocorp



Textile manufacturing facilities handle raw cotton, synthetic fibers, lint, fly waste, micro-dust, and process by-products. Efficient material discharge and airlock control are essential in spinning, carding, blow room systems, and dust extraction units to maintain clean and continuous operations.

Oswar Rotocorp provides engineered flow control solutions designed for pneumatic conveying, cyclone discharge, hopper systems, and waste collection units within textile mills. Our equipment ensures consistent material transfer while maintaining proper air sealing and system efficiency.

KEY PROCESS AREAS

BLOW ROOM &
FIBER DISCHARGE
SYSTEMS

PNEUMATIC
CONVEYING OF
LINT & WASTE

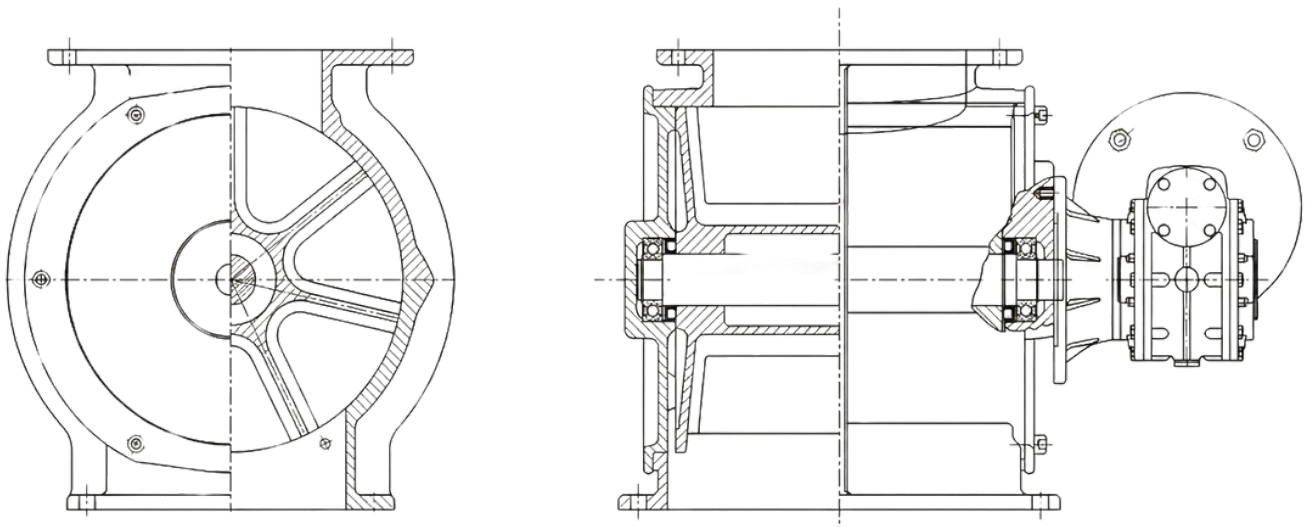
CYCLONE & DUST
COLLECTOR
DISCHARGE

WASTE
COLLECTION &
RECYCLING
SYSTEMS

BUILT FOR AIRLOCK PERFORMANCE & RELIABLE DISCHARGE

Textile processes rely heavily on pneumatic systems for fiber transport and dust extraction. Maintaining airlock integrity is essential to prevent pressure imbalance and ensure system efficiency.

Rotary Valves are engineered with optimized rotor configurations to provide consistent discharge while preserving air sealing performance in pneumatic conveying and dust collection systems. Durable construction ensures long-term reliability under continuous mill operation.



SOLUTION PORTFOLIO INCLUDES:

- Rotary Valves for Fiber & Dust Discharge
- Pneumatic Conveying Rotary Valves
- Slide Gate Valves for Hopper Isolation
- Diverter Valves for Multi-Line Routing
- Flap / Gravity Gates for Waste Handling

SUPPORTING CLEAN & EFFICIENT TEXTILE PRODUCTION

- Consistent Fiber & Waste Discharge
- Improved Airlock Efficiency
- Reduced Dust Leakage
- Stable Operation in High-Speed Systems
- Lower Maintenance Requirements
- Extended Equipment Service Life



OSWAR

rotocorp

Corporate Office

Jaipur, Rajasthan India
Nagpur, Maharashtra India

Sales Inquiries

info@oswarrotocorp.com

Helpline

[+44 7917 128505](tel:+447917128505) | +91 77422 36474

Copyright © 2026 OSWAR ROTOCORP. All Rights Reserved. OSWAR® is a registered trademark of **OSWAR ROTOCORP**. This brochure makes no offers, representations or warranties (express or implied), and information and data contained in this brochure are for general reference only and may change at any time.